

CATALOG



SMIG

ROBOTIC FUME EXTRACTION



© 2024. Excerpts and reprints not permitted.

EDR torches[®]
Evolution Design Robotics

2024









We are present worldwide

Fume extraction a SMIG

The ASMIG system guarantees the maximum extraction of welding fumes in BOT systems, being this system modular and can be incorporated as an accessory in an already operating installation.

-  Vacuum Regulation System External To The Pump. Independent Adjustment Of Each Torch In Centralized Systems
-  Independent elbow. allow the systems to be adapted to different types of standard necks of the bot series
-  Large Diameter Pipe With Lower Suction Losses
-  Different sizes and lengths of suction nozzles. adjust



“We understand that the development of a product starts at the design stage but just as important are quality and production”

Companies with technological or industrial character know the importance of innovating to continue in the current market. In EDR torches this becomes a work philosophy, we understand that without innovation it is not possible to advance in such a competitive world where companies and professionals need increasingly complex solutions.

EDR torches has a strong R & D department dedicated to the development of new welding applications, providing customized solutions both in the area of robotic welding and manual.

We understand that the development of a product begins at the design stage but just as important are the quality and production designed and tested.

The long experience of EDR torches in all sectors related to welding makes us capable of providing the best solutions to your manufacturing challenges, tell us what you need and we will make it possible.

Variety of configurations without losing programming.

Extraction systems for collaborative and industrial robots, ASMIG is a modular system that adapts to the torch that you currently have installed without the need for change or reprogramming in BOT series systems



Fume extraction



Incorporate your aSMIG system to your installed BOT or BASIC series torch, and reduce gas emissions without changing the programming.

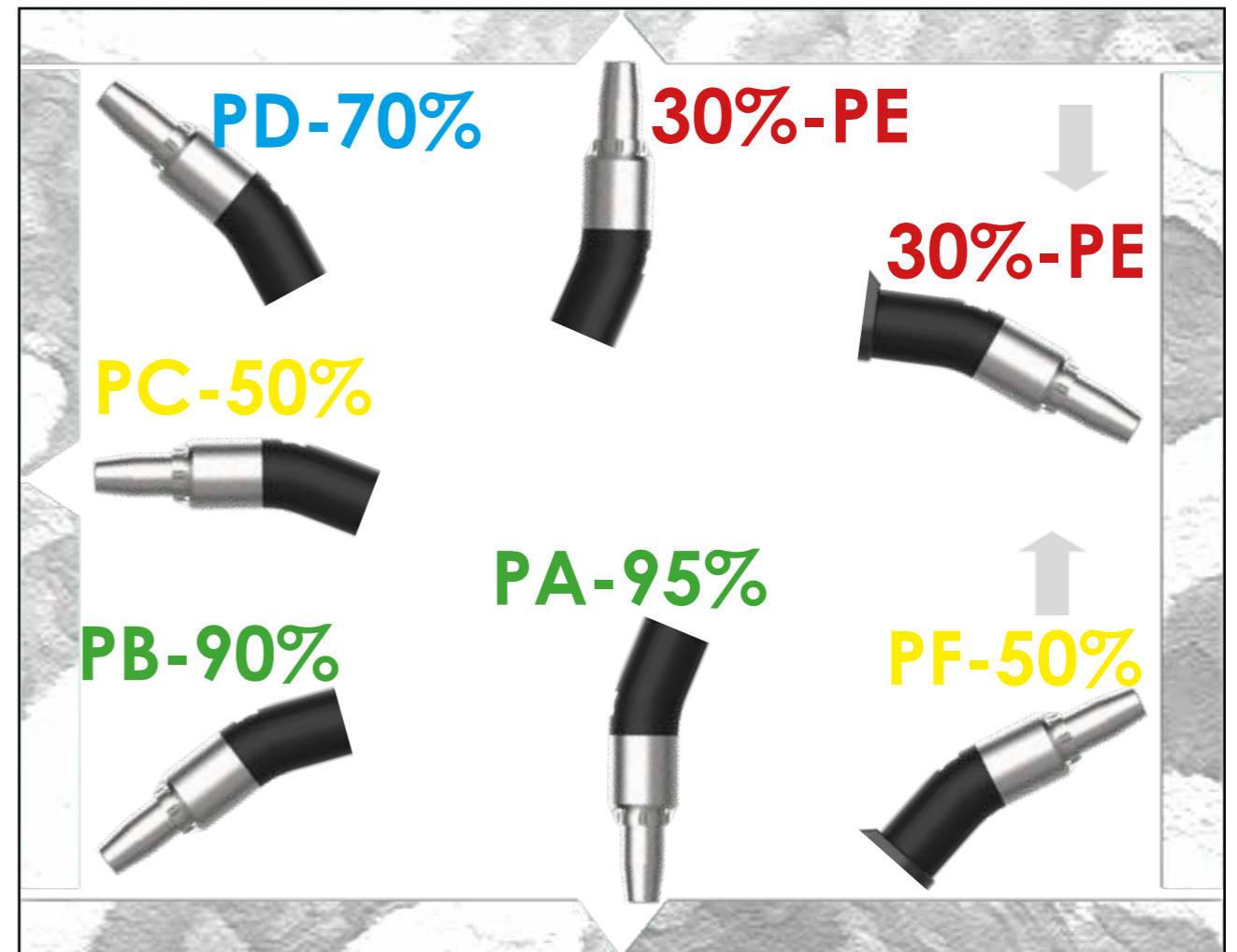


INDEPENDENT MODULAR

Independent tube system eliminates torch tube contamination and increases suction performance.



Efficiency of suction systems according to welding position.



ASMIG FOR BASIC TORCHES

ASMIG FOR BOT TORCHES



AS

1

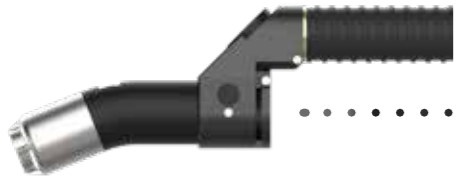
3

4

GAS COOLING

BASIC-42G 300A

- BE3G22** R98 1300 22 Welding torch 42G-22° gas 3mts-Euro type
- BE4G22** R98 1400 22 Welding torch 42G-22° gas 4mts-Euro type
- BM3G22** R98 2300 22 Welding torch 42G-22° gas 3mts-Miller type
- BM4G22** R98 2400 22 Welding torch 42G-22° gas 4mts-Miller type
- BP3G22** R98 3300 22 Welding torch 42G-22° gas 3mts-Panasonic type
- BP4G22** R98 3400 22 Welding torch 42G-22° gas 4mts-Panasonic type



AS R30 8222 ASMIG BOT-40W 22°F -BASIC

LIQUID COOLING

BASIC-52W 500A

- BE3W22** R99 1300 22 Welding torch 52W-22° gas 3mts-Euro type
- BE4W22** R99 1400 22 Welding torch 52W-22° gas 4mts-Euro type



67 R41.1023 Bracket 67°

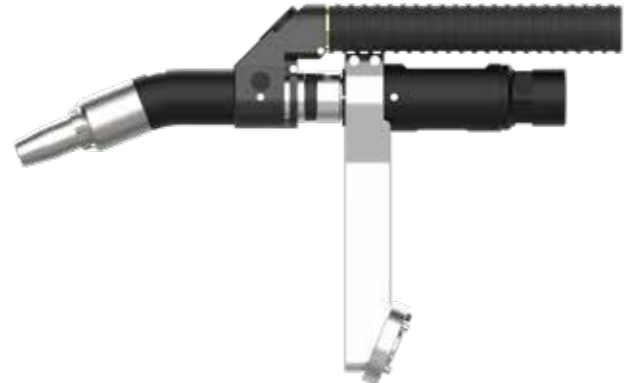
5040 R75.0020 D50x4

Long máx 5 mts
dia. 32 mm

Dia. 45-50 mm



Not included in torch



AS + 1 + 3 + 4

Sample installation code: AS-BE3W22-67-5040



BOT

LIQUID COOLING

ASMIG - BOT-40W 500A

e-BOT



3.1

INDUSTRIAL



EB R53.0001 anticollision
4040 R73.0010 D40x4
5040 R73.0020 D50x4

COBOTS



T1	R10.0011	L76xD15.5
T2	R10.0012	L76xD13
T3	R10.0211	L79xD15.5

AS4022	R30 8022	ASMIG BOT-40W 22°	+	R14.0220	BOT-40W-22°
AS402F	R30 8222	ASMIG BOT-40W 22°F	+	R14.0222	BOT-40W-22°F
AS402L	R30 8122	ASMIG BOT-40W 22°L	+	R14.0221	BOT-40W-22°L
AS4045	R30 8045	ASMIG BOT-40W 45°	+	R14.0450	BOT-40W-45°

EEXXL	R92.1XXX	power cable liquid Euro
EMXXL	R92.2XXX	power cable liquid Miller
EPXXL	R92.3XXX	power cable liquid Panasonic
EOXXL	R92.4XXX	power cable liquid OTC

67 R41.1023 Bracket 67°

5140 R75.0020 D50x4



BICOMP

P10	R10.0400.10	M10 1.0
P12	R10.0400.12	M10 1.2
P16	R10.0400.16	M10 1.6

Long máx 5 mts
 dia. 32 mm

Dia. 45-50 mm

Not included in torch



K1 R04.0000 Neck tool BOT

S1 + S2 + AS + 1 + 2 + 3 + 4 +

Sample installation code: T1-P12-AS4022-EE1300L-67-5140-K1

Fume extraction ASMIG

CE MIG/MAG, GMAW,131,135

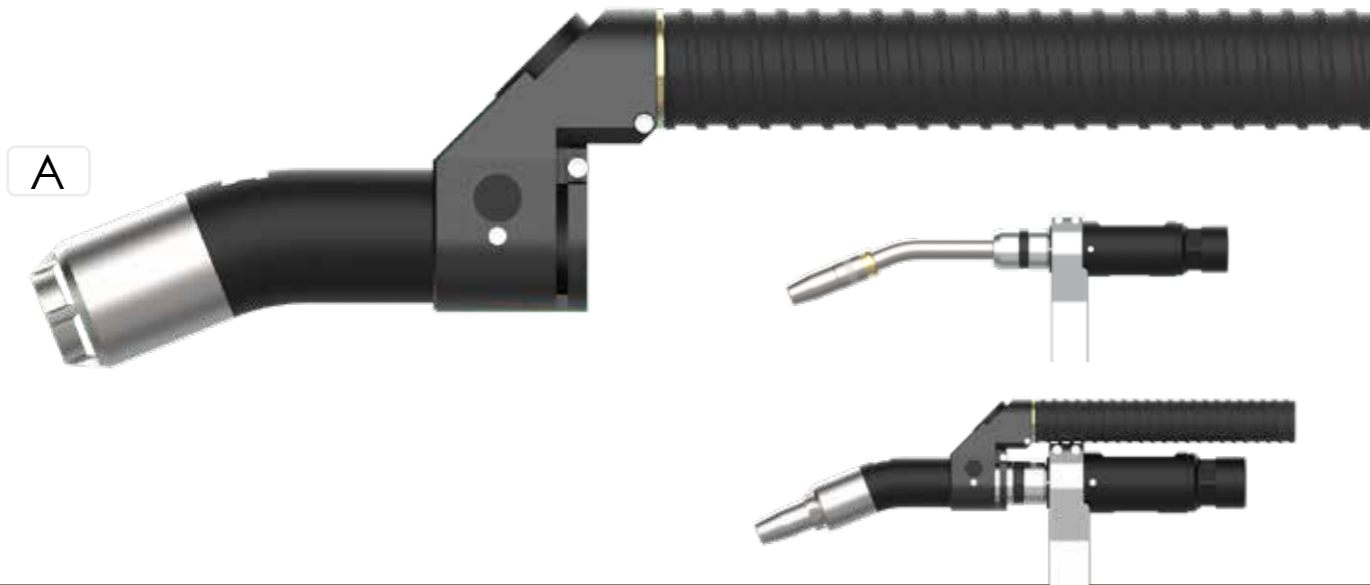
ASMIG is a welding fume extraction system for robotic torches of the BASIC or BOT range, it is an external system that can be incorporated to any already installed torch of the BASIC or BOT line, both in industrial ROBOTS and COBOTS.

The system can also be supplied with the torches already incorporated.

Several configurations of standard necks are available but can be ordered for other models of the BOT line upon request.



ASMIG for BASIC

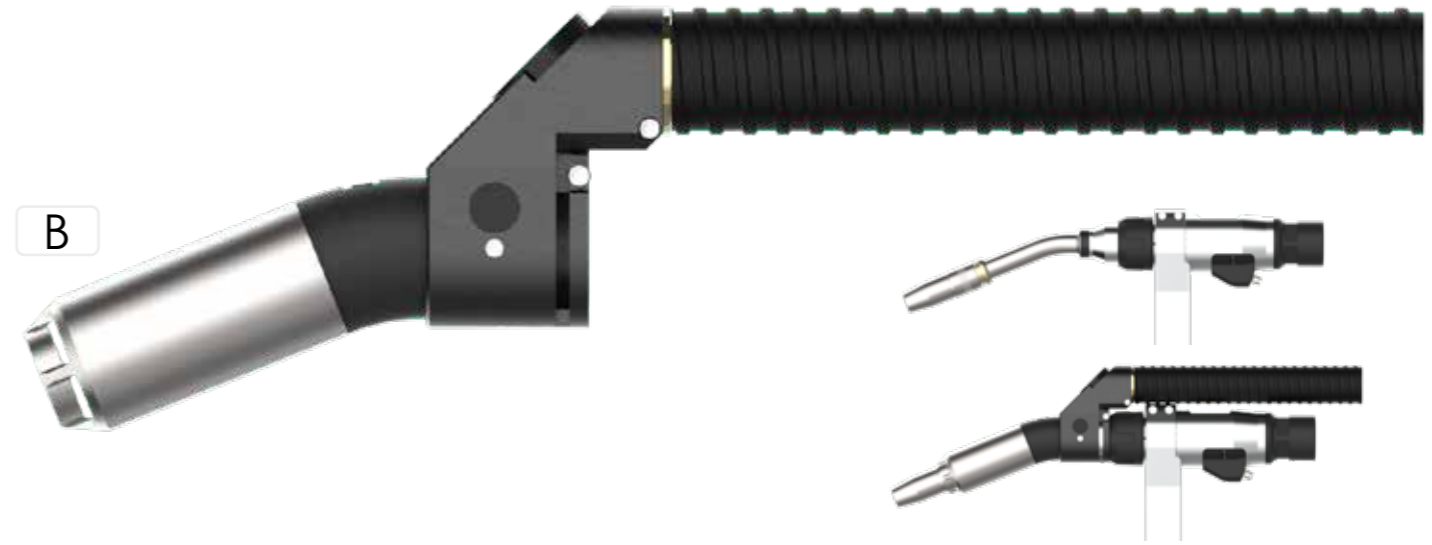


Pos.	CODE	TYPE	Min. Q.
A	R30 8222	ASMIG SYSTEM for Torch BASIC 22°	1

Torch compatible with ASMIG BASIC

Pos.	CODE	TYPE	Min. Q.
A.1	R98 1XXX 22	Welding torch 42G-22° gas BASIC XXmts-Euro type	1
A.2	R98 2XXX 22	Welding torch 42G-22° gas BASIC XXmts-Miller type	1
A.3	R98 3XXX 22	Welding torch 42G-22° gas BASIC XXmts-Panasonic type	1
A.4	R99 1XXX 22	Welding torch 52W-22° gas eBASIC 4mts-Euro type	1

ASMIG for BOT



Pos.	CODE	TYPE	Min. Q.
B	R30 8022	ASMIG SYSTEM for Torch neck BOT-40W 22°	1
	R30 8122	ASMIG SYSTEM for Torch neck BOT-40W 22°L	1
	R30 8045	ASMIG SYSTEM for Torch neck BOT-40W 45°	1

B.1 BOT-40W 22° N B.2 BOT-40W 22°L L B.3 BOT-40W 45° N



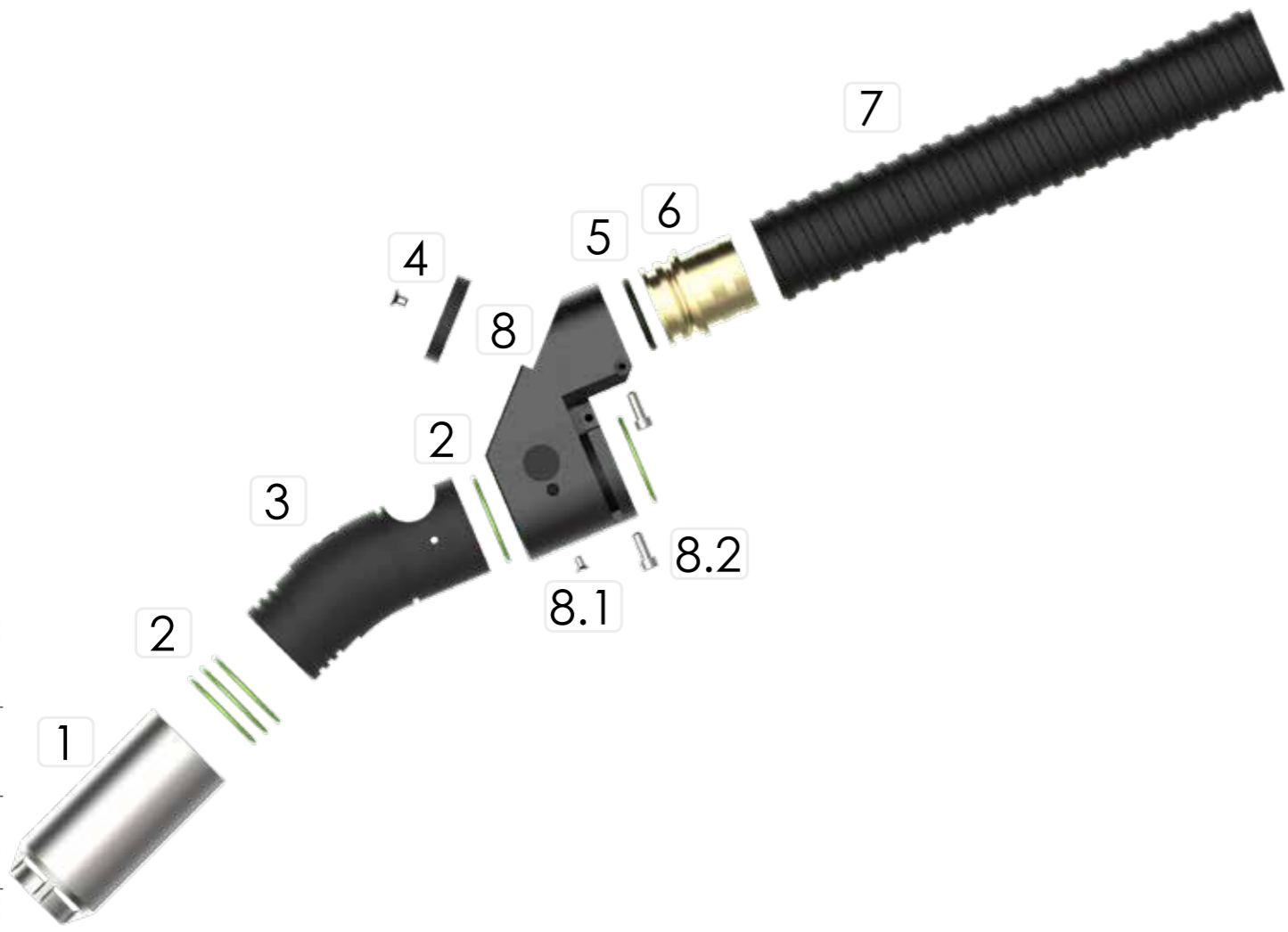
Necks compatible with ASMIG BOT

Pos.	CODE	TYPE	Min. Q.
B.1	R14 0220	Torch neck BOT-40W 22° (X=64 mm, Z=247 mm)-long type N	1
B.2	R14 0221	Torch neck BOT-40W 22°L (X=64 mm, Z=297 mm)-long type L	1
B.3	R14 0450	Torch neck BOT-40W 45° (X=111 mm, Z=217 mm)-long type N	1

© 2024 EDRtorches, S.L. All rights reserved. Subject to change without notice. Excerpts and reprints not permitted

© 2024 EDRtorches, S.L. All rights reserved. Subject to change without notice. Excerpts and reprints not permitted

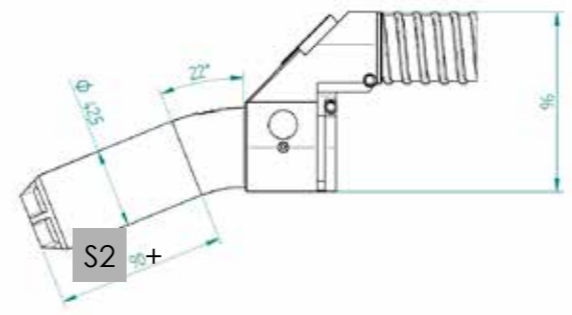
© 2024 EDRtorches, S.L. All rights reserved. Subject to change without notice. Excerpts and reprints not permitted



Pos.	CODE	TYPE	Min. Q.
1	R30 8090	Nozzle ASMIG L90xØ42.5 mm	1
	R30 8055	Nozzle ASMIG L55xØ42.5 mm	1
2	R30 8005	O-ring ASMIG Ø37 mm	10
3	R3 8022 01	Support tuber ASMIG 22G	1
	R3 8022 02	Support tuber ASMIG 22GL	1
	R3 8045 01	Support tuber ASMIG 45G	1
	R3 8122 02	Support tuber ASMIG BASIC 22G	1
4	R3 8002 01	ASMIG regulating cap	1
5	R6 0203 02	O-ring seal	4
6	R3 8002 04	Tube fitting ASMIG	1
7	R30 3032	Suction tube D32	1
8	R3 8002	Support ASMIG	1
8.1	R5 1000 20	Screw M4x12	2
8.2	R8 0000 0203	Screw BOT M4x6	2

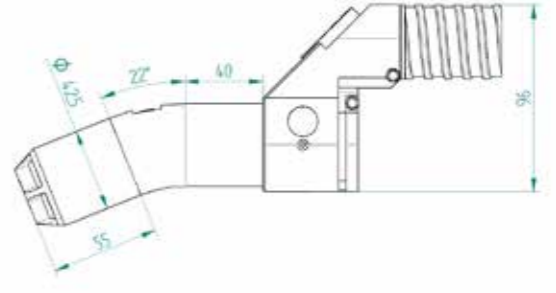
ASMIG for BOT 40W22G

Ref.R30 8022



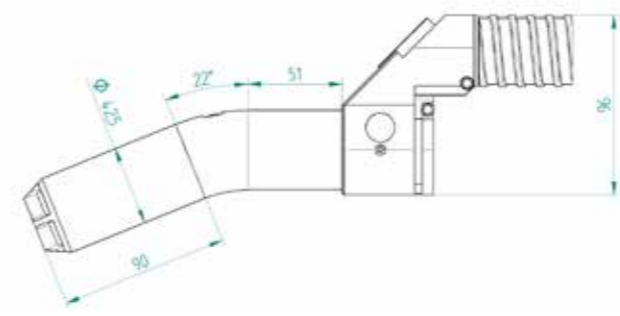
ASMIG BASIC 42/52 22F

Ref.R30 8222



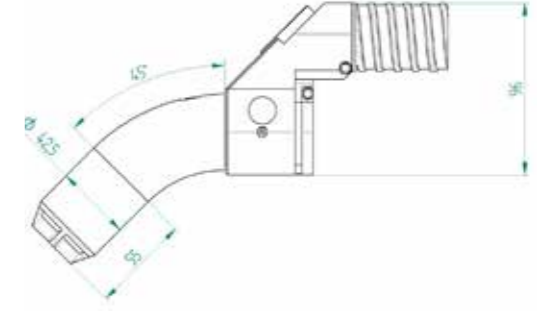
ASMIG BOT 40W22L

Ref.R30 8122

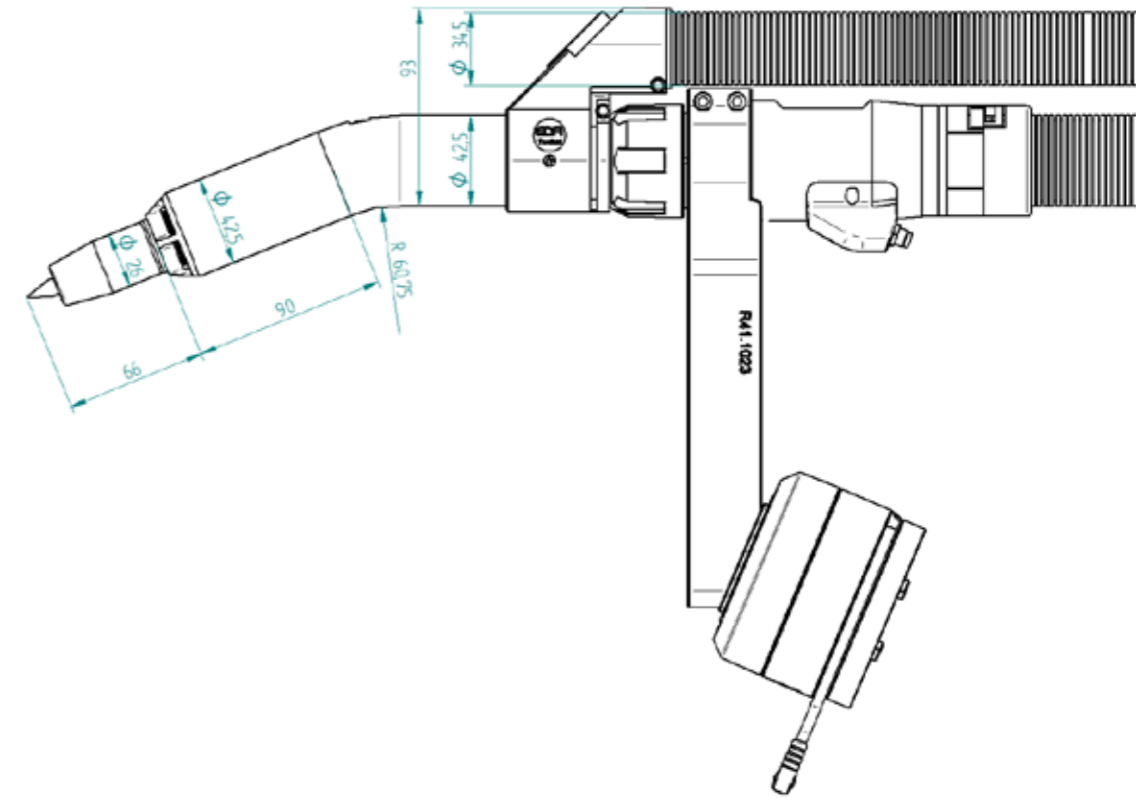


ASMIG BOT 40W45G

Ref.R30 8045



ASMIG system



© 2024 EDRtorches, S.L. All rights reserved. Subject to change without notice. Excerpts and reprints not permitted

Fume extration for robot torches



EDRtorches, S.L.

Calle Miguel Angel Blanco 28. 46138

Rafelbuñol - Valencia Spain.

www.edrtorches.com

info@edrtorches.com

Tel. 0034 963 558 893